

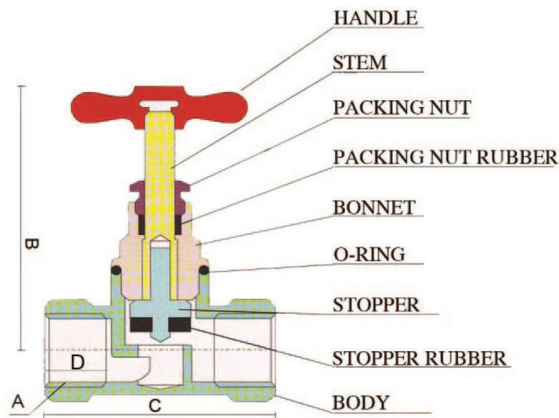


FORGING BRASS STOP COCK



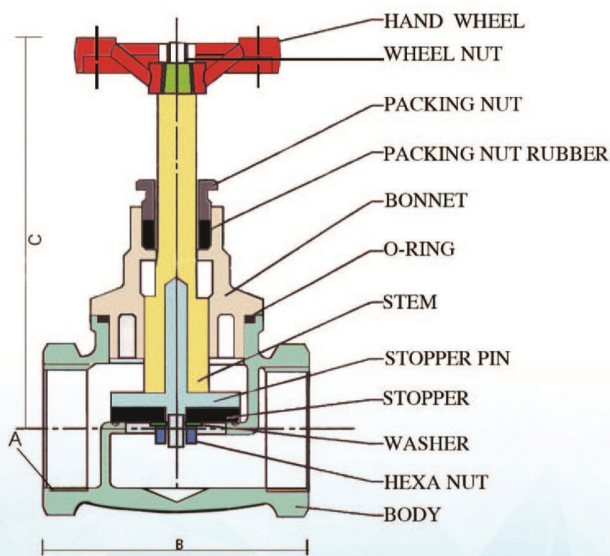
Your trusted engineering partner

FORGING BRASS STOP COCK



ART NO	SIZE	A	B	C	D
1002	1/2"LD	BPS 1/2"	58.3	52.0	13.0
1003	3/4"LD	BPS 3/4"	61.4	60.0	13.5
1013	1"	BPS 1"	85.4	70.0	18.0
1011	1/2" BS	BPS 1/2"	60.5	60.0	12.1
1012	3/4" BS	BPS 3/4"	71.7	76.0	20.0

* All measurement in millimeters (mm)



ART NO	SIZE	A	B	C
1014	1 1/4"	BPS 1 1/4"	89.0	110.6
1015	1 1/2"	BPS 1 1/2"	98.0	127.5
1016	2"	BPS 2"	120.0	140.0

* All measurement in millimeters (mm)

SPAN



BUATAN MALAYSIA
MADE IN MALAYSIA



WELL-BUILT ALLOY INDUSTRIES SDN BHD

No 5, Jalan Riang 24, Taman Gembira, 81200 Johor Bahru, Johor, Malaysia.

Tel: +607-3329173 Fax: +607-3328664 Email: wbaind@yahoo.co.uk

Website: www.wellbuiltalloy.com.my